



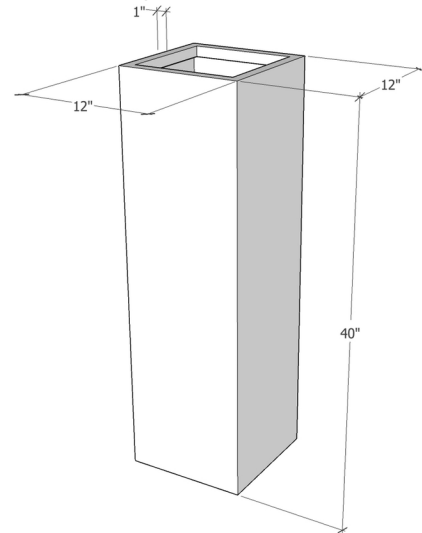
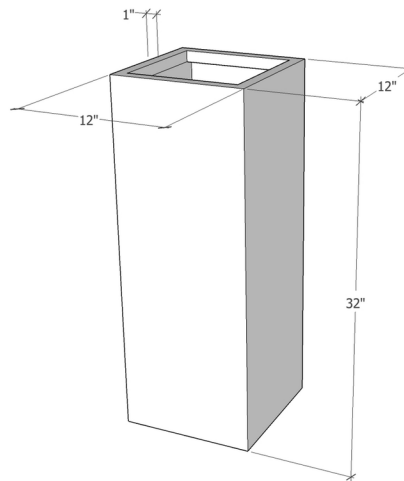
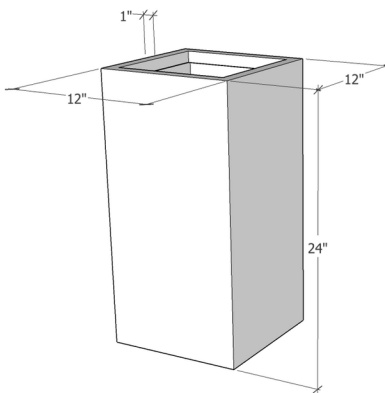
# Tower 12



**TWR121224**  
16lbs; 15 US Gallons

**TWR121232**  
24lbs; 20 US Gallons

**TWR121240**  
28lbs; 25 US Gallons



### Dimensions

12"L x 12"W x 24"H

12"L x 12"W x 40"H

12"L x 12"W x 32"H

### Drainage

Yes / No

### Quantity

\_\_\_\_\_

### Color

Textured Black

Pewter

Charcoal

Vintage Brown

Metallic Silver

Gloss White

Aged Bronze

Bronze Silverado

Rust

Custom RAL Code \_\_\_\_\_