



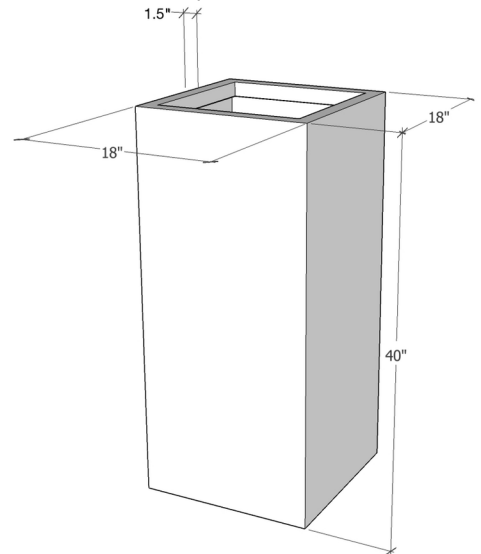
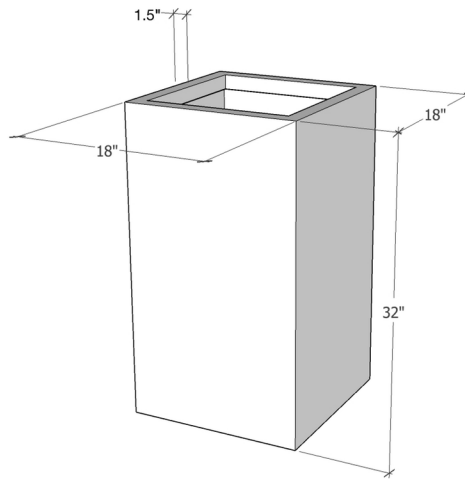
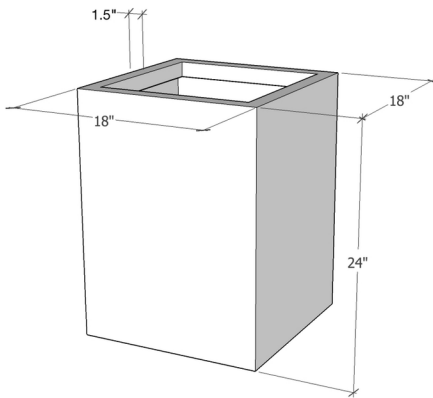
Tower 18



TWR181824
29lbs; 34 US Gallons

TWR181832
40lbs; 50 US Gallons

TWR181840
49lbs; 67 US Gallons



Dimensions

18"L x 18"W x 24"H

18"L x 18"W x 40"H

18"L x 18"W x 32"H

Drainage

Yes / No

Quantity

Color

Textured Black

Pewter

Charcoal

Vintage Brown

Metallic Silver

Gloss White

Aged Bronze

Bronze Silverado

Rust

Custom RAL Code _____